

## SPECIFICATION

SERIES	DIMENSIONS	CHANNEL TYPE	LENGTH	LENS TYPE
AMC = Aluminum Channel	3535 = 35mm W x 35mm H	R = Recessed Channel	1M = 39" 2M = 78"	C = Clear Lens F = Frosted Lens O = Opal Lens

### PHYSICAL

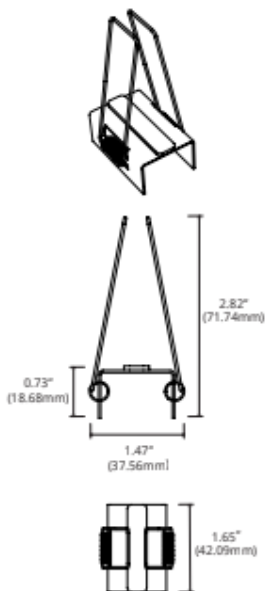
Material	Anodized Aluminum
Lens Cover	Polycarbonate
Width	A:1.38"(35.0mm)
Inner Width	B:1.02"(25.9mm)
Height	C:1.38"(35.0mm)
Width with Flange	D:1.97"(50.0mm)
Length	1 meter (39") or 2 meters (78")

### ACCESSORIES

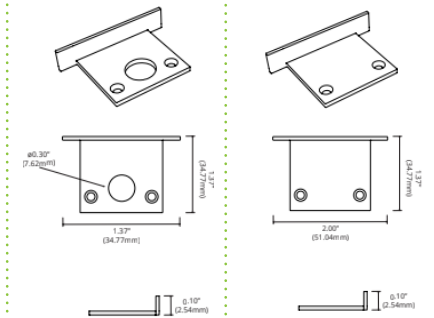
ACCESSORIES	PART#
Plastic End Cap	AMC-3535-R-EC
Plastic End Cap with wire lead hole	AMC-3535-R-ECL
90 Degree Horizontal Bracket	AMC-3535-B90H
90 Degree Vertical Bracket	AMC-3535-B90V
Straight Bracket	AMC-3535-BS
Spring Mounting Clip	PL-MC-3535

### ACCESSORY PHOTOS

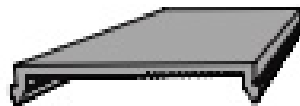
#### PL-MC-3535



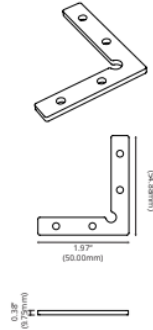
#### ENDCAPS



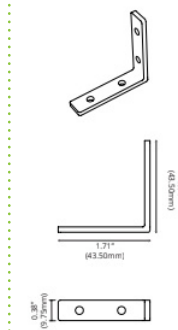
#### LENS



#### AMC-3535-B90H



#### AMC-3535-B90V



#### AMC-3535-BS

