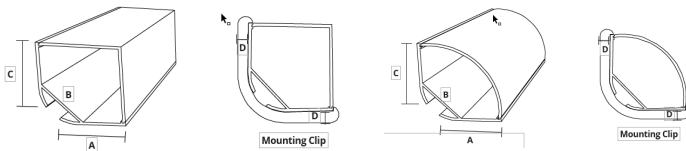




PHYSICAL

Material	Anodized Aluminum
Lens Cover	Polycarbonate
Width	A:1.18"(30.00mm)
Inner Width	B: 0.78"(20.20mm)
Height	C:1.18"(30.00mm)
Additional Height	D:0.11"(2.70mm)
Length	39" or 78"

DIMENSIONS



FINISH

Satin Aluminum

ACCESSORIES

	PART#
Plastic End Cap	AMC-3030-C-EC-SQ
Plastic End Cap w/hole	AMC-3030-C-ECL-SQ
Plastic End Cap	AMC-3030-C-EC-RO
Plastic End Cap w/hole	AMC-3030-C-EC-RO
Mounting Clip	AMC-3030-C-MC

ACCESSORIES

	PART#
Clear Lens for Square	AMC-3030-C-C-SQ
Clear Lens for Round	AMC-3030-C-C-RO
Frosted Lens for Square	AMC-3030-C-F-SQ
Frosted Lens for Round	AMC-3030-C-F-RO
Opal Lens for Round	AMC-3030-C-O-SQ
Opal Lens for Square	AMC-3030-C-O-RO

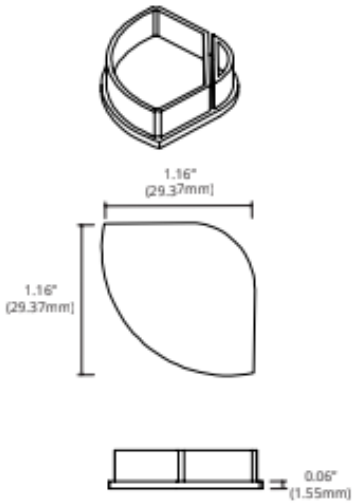
SPECIFICATION

SERIES	DIMENSIONS	CHANNEL TYPE	LENGTH	LENS TYPE	FINISH
AMC = Channel	3030= H 30.00mm x 30.00mm	C=Corner Mount Channel	1M = 39" 2M = 78" XX* = Custom	C = Clear Lens F = Frosted Lens O= Opal Lens **SQ=Square **RO=Round	SL = Satin Aluminum

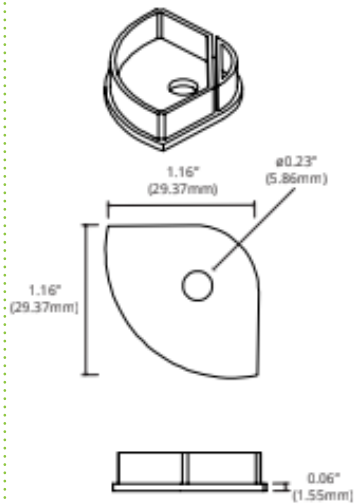


ACCESSORIES
AMC-3030-C-EC-SQ

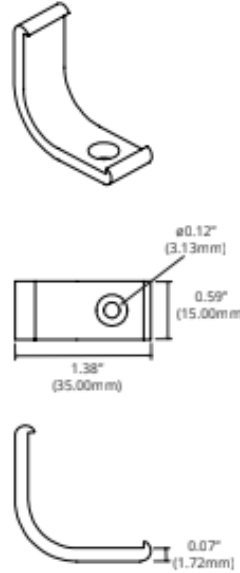
Plastic End Cap


AMC-3030-C-ECL-SQ

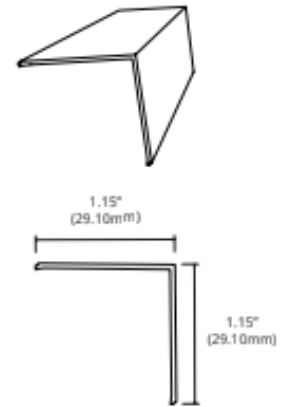
Plastic End Cap w/Hole


AMC-3030-C-MC

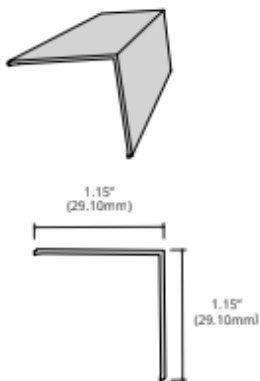
Pendant Mount


AMC-3030-C-C-SQ

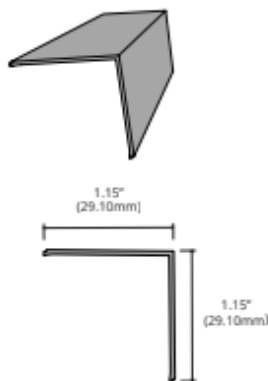
Clear Lens


AMC-3030-C-F-SQ

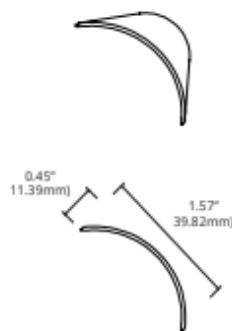
Frosted Lens


AMC-3030-C-O-SQ

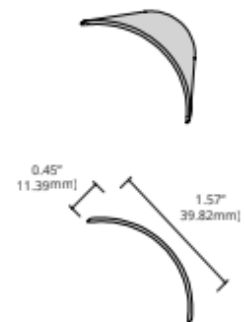
Opal Lens


AMC-3030-C-C-RO

Clear Lens


AMC-3030-C-F-RO

Frosted Lens



ACCESSORIES

AMC-3030-C-O-SQ

Frosted Lens

