



### PHYSICAL

Material	Anodized Aluminum
Lens Cover	Polycarbonate
Width	A: 0.55" (14.00mm)
Inner Width	B: 0.49" (12.50mm)
Height	C: 2.28" (58.00mm)
Additional Height	D: 2.68" (68.00mm)
Length	39" or 78"

### ACCESSORIES

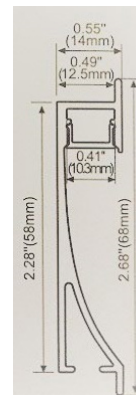
Plastic End Cap	AMC-1468-R-EC
Opal Lens	AMC-1468-O

### PART#

### FINISH

Satin Aluminum

### DIMENSIONS



## SPECIFICATION

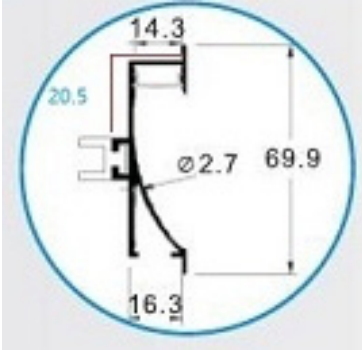
SERIES	DIMENSIONS	CHANNEL TYPE	LENGTH	LENS TYPE	FINISH
AMC = Channel	1468= H 14.00mm x 68.00mm	R = Recessed Channel	1M = 39" 2M = 78" XX* = Custom	O+ Opal Lens	SL = Satin Aluminum



**ACCESSORIES**

**AMC-1468-R-EC**

Plastic  
End Cap



**AMC-1468-R-O**

Opal Lens

